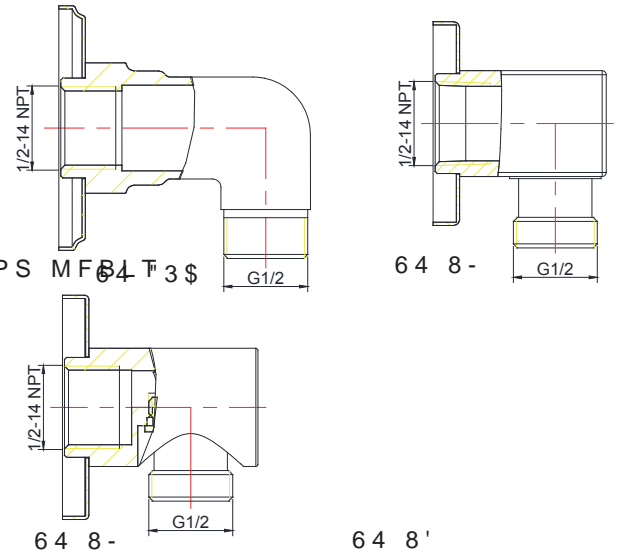


1 Installation

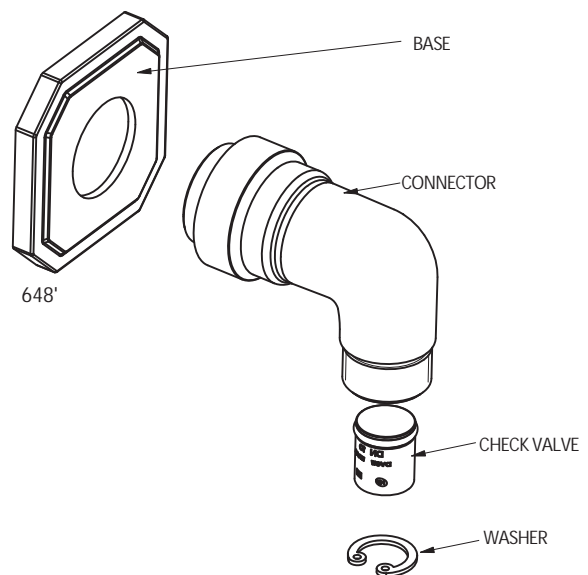
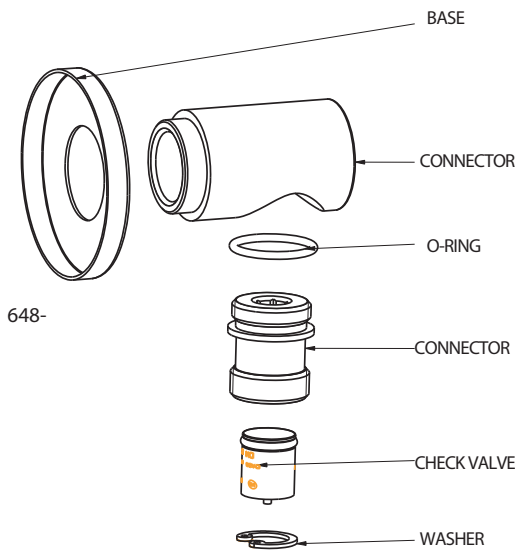
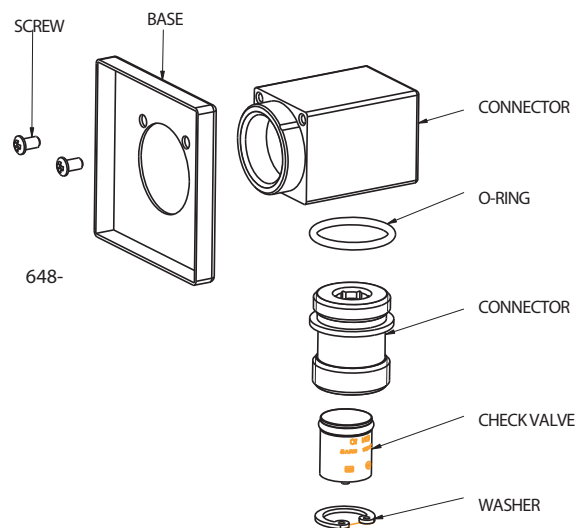
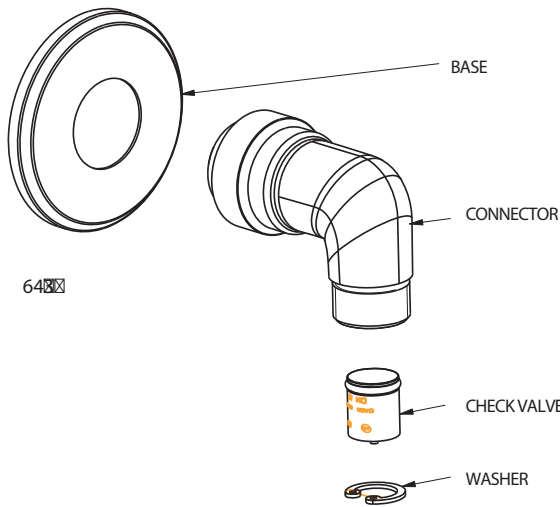
- Shut off your water heating system then, with your main water supply **turned off**, open the lowest hot and cold faucets and allow to drain until supply pipes are empty.
- Identify all components before fitting.
- Use the rubber seal and lock nut to fix to the wall, then connect the water feed as shown opposite.

"55 & /5 * 0/ \$IFDL BMM OFX DPOOFDUJPOT GPS MF 64 T 3 \$

- Turn on the main water supply, close all faucets except for the new installed wall outlet and as the system refills, check for leaks.
- Once satisfied there are no leaks, switch on the heating supply.



2 Parts list



Maintenance

Clean surfaces gently with a soft, damp cloth using mild soap.

We % 0 / 0 5 recommend using any household cleaners, as many can cause damage to the surface.

8 B S S B O U Z: All \$ S P T T X B U F S - P O E P O products come with a limited lifetime warranty. For full details, terms and conditions please visit www.crosswaterlondon.com
 For further information contact \$ S P T T X B U F S - P O E P O, 393 Fortune Blvd., Milford, MA 01757 D S P T T X B U F S M P O E P O
 Toll free number: 844-XWATER-1 (844-992-8371) tel: 508-381-0433 fax: 508-381-6068 email: technical@crosswaterlondon.com