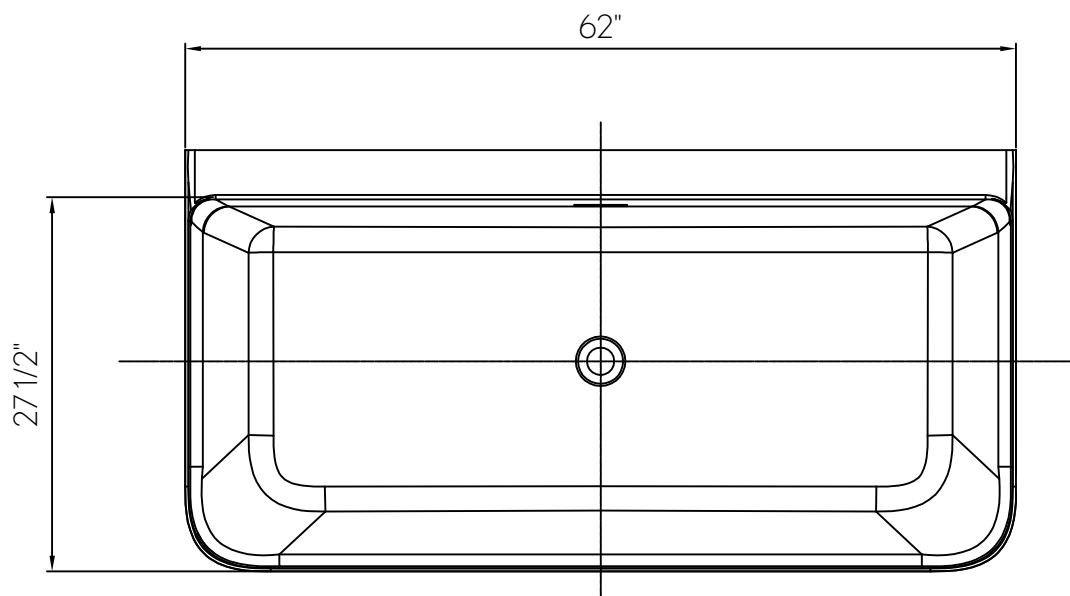
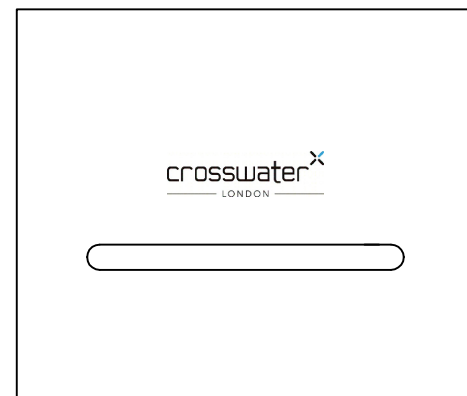
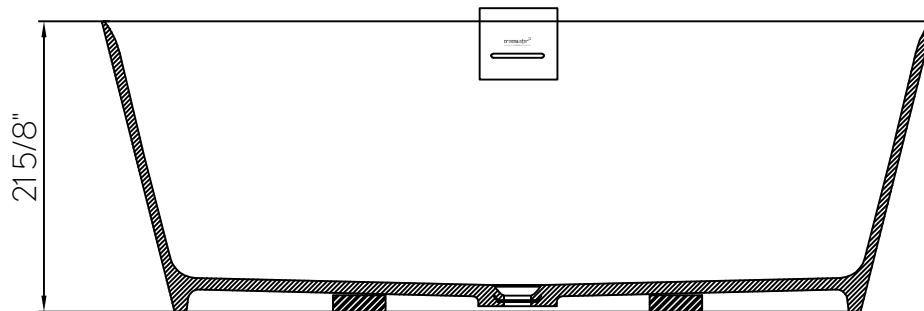


TAOS BACK TO WALL BATHTUB WITH INTEGRAL OVERFLOW AND WASTE TAO-F6232-C-WH



*BATH WASTE INCLUDED

crosswater^x
LONDON