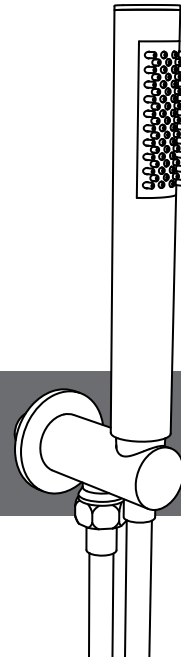


Modern Round Handshower Set

US-PRO963

Installation Instructions



Introduction

This handshower set is supplied with a mixed hot and cold water feed. Please ensure that the mixer that supplies this set has had its hot and cold water pressures balanced, otherwise the handshower set will not function correctly.

The minimum water pressure required for this handshower set is 43.5 psi. The maximum water pressure is 87.6 psi, (beyond which pressure reducing valves must be fitted).

IMPORTANT: Read these instructions carefully before you begin and retain for future reference. These instructions have been prepared for your guidance, you must exercise due care at all times.

We do not accept responsibility for any problems that may occur through incorrect installation.

Before beginning installation, check for any damage that may have occurred during transport. **Damage claims cannot be made during or after installation.**

Installation notes

NOTES: The installation must comply with all plumbing codes including local codes and be installed by a licensed plumbing contractor.

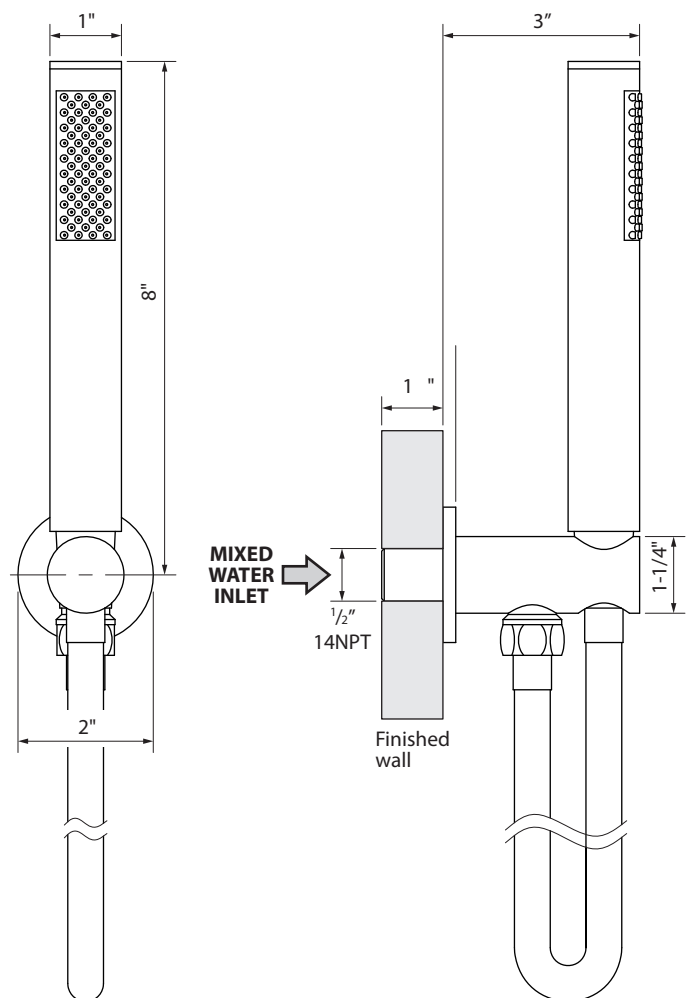
WARNING! Before installing a new handshower set it is essential that you thoroughly flush through the supply pipes in order to remove any remaining debris, solder or other impurities. Failure to carry out this simple procedure can cause problems or damage to the working of the handshower set.

Fitting isolating valves to the inlet feeds is recommended for ease of maintenance.

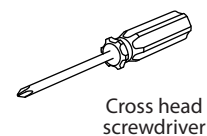
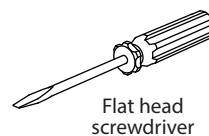
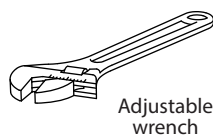
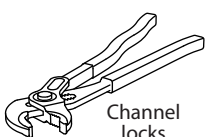
INSTALLATION: Turn off the main water supply before connecting to any existing pipe work or doing any maintenance.

WARNING! Please check for any hidden pipes and cables, electric or otherwise before drilling holes in a wall.

Dimensions



Tools required

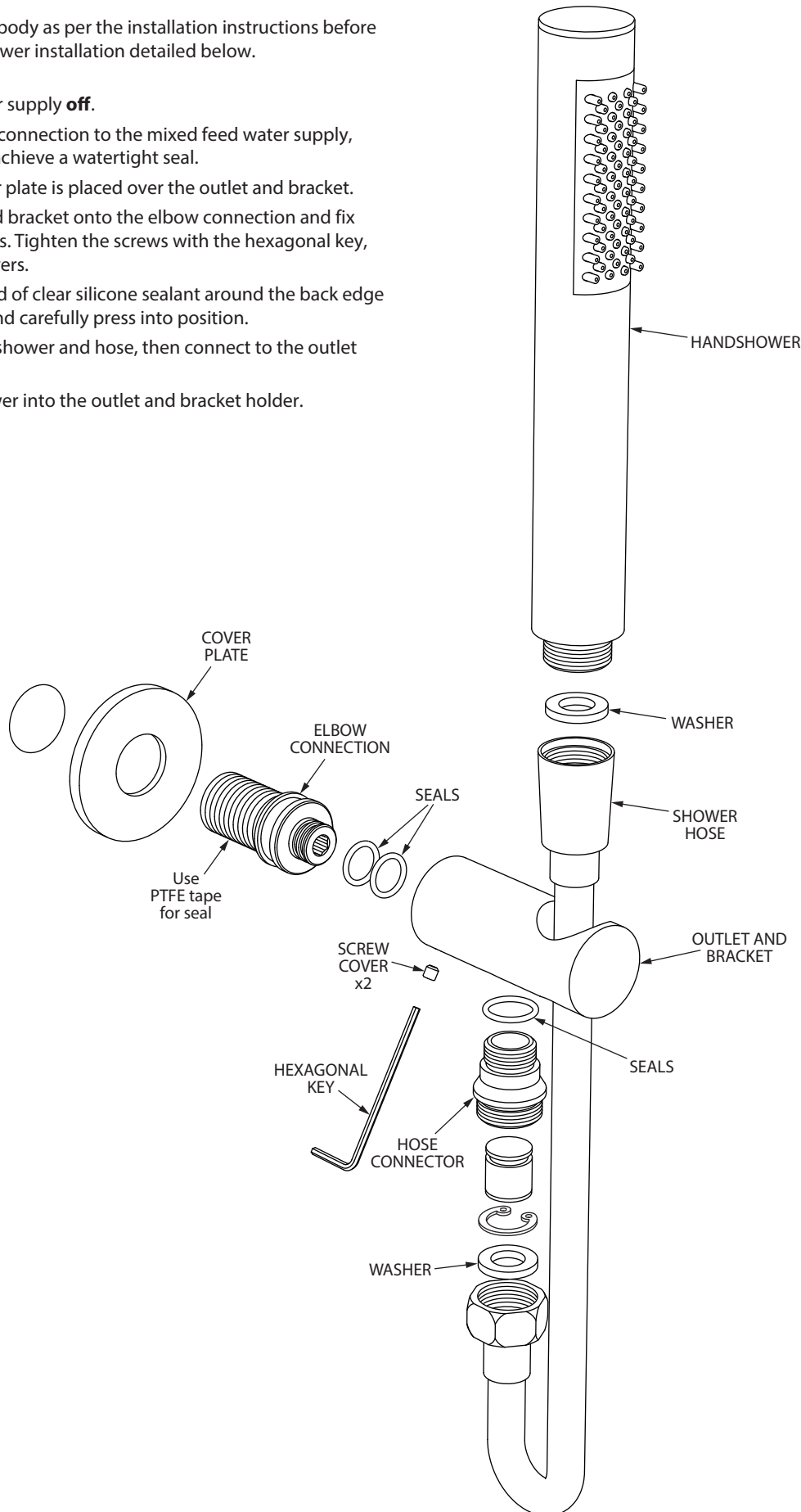


1 Installation

IMPORTANT:

Install the mixer valve body as per the installation instructions before following the handshower installation detailed below.

- Turn the main water supply **off**.
- Connect the elbow connection to the mixed feed water supply, using PTFE tape to achieve a watertight seal.
- Make sure the cover plate is placed over the outlet and bracket.
- Insert the outlet and bracket onto the elbow connection and fix with the grub screws. Tighten the screws with the hexagonal key, then fit the screw covers.
- Apply a narrow bead of clear silicone sealant around the back edge of the cover plate and carefully press into position.
- Assemble the handshower and hose, then connect to the outlet and bracket.
- Place the handshower into the outlet and bracket holder.
- Check for leaks.



Warranty - All **Crosswater London** products come with a limited lifetime warranty. For full details, terms and conditions visit our website.

For further information contact: **Crosswater London**, 393 Fortune Blvd., Milford, MA 01757

Toll free number: 844-XWATER-1 (844-992-8371) tel: 508-381-6062 fax: 508-381-6068

www.crosswaterlondon.com

email: technical@crosswaterlondon.com

Issue date: 180716