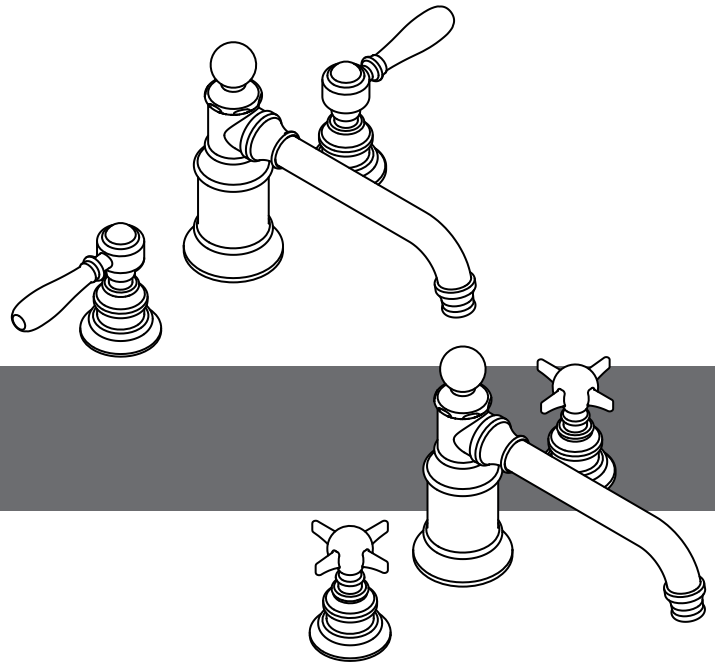


## Arcade Widespread Basin Faucet

US-ARC15



## Installation Instructions



### Introduction

The faucets in this range are single flow (hot and cold water mix in the body) and should therefore be supplied with hot and cold water at balanced pressures. If the faucets are not supplied at balanced pressures then the mixer will not function correctly.

The minimum water pressure required for these faucets is 7.2 psi. The maximum water pressure is 72 psi, beyond which pressure-reducing valves must be installed).

The faucets are fitted with quarter-turn ceramic disc cartridges which provide a good flow rate with very smooth movement.

**IMPORTANT: Please read these instructions carefully before you begin and retain for future reference. These instructions have been prepared for your guidance, you must exercise due care at all times.**

Before beginning installation, check for any damage that may have occurred during transport. **Note: Damage claims cannot be made during or after installation.**

**We do not accept responsibility for any problems that may occur through incorrect installation.**

### Installation notes

The installation must comply with all plumbing codes including local codes and be installed by a licensed plumbing contractor.

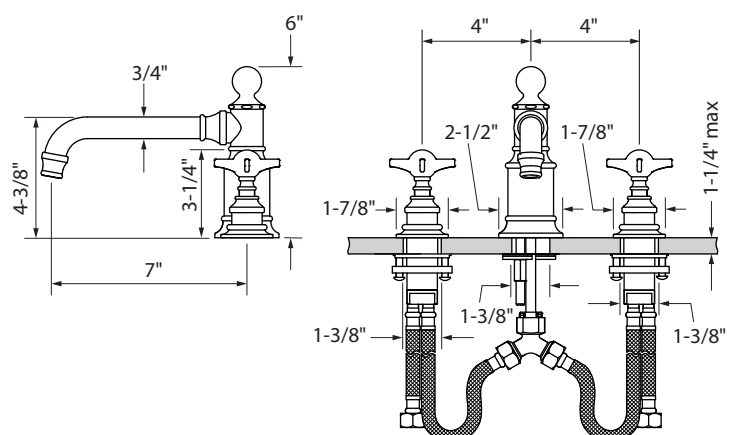
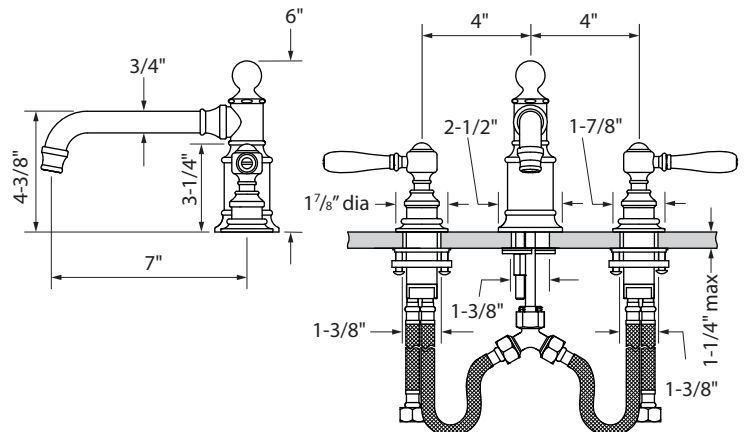
**WARNING!** Before installing a new faucet, it is essential that the supply pipes are thoroughly flushed in order to remove any remaining debris, solder or other impurities. Failure to carry out this simple procedure can cause problems or damage to the working of the faucet.

Installing shut-off valves on incoming supply lines is recommended for ease of maintenance.

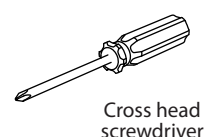
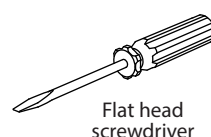
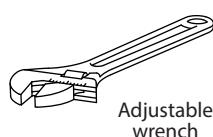
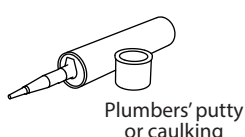
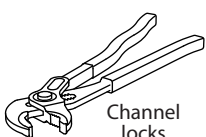
**Turn off the main water supply before connecting to any existing pipework or doing any maintenance.**

**WARNING! Please check for any hidden pipes and cables, electric or otherwise, before drilling holes in a wall or floor.**

### Dimensions



### Tools required



# 1 Installation

- Shut off the water heating system then, with the main water supply **turned off**, open the lowest hot and cold faucets and allow to drain until supply pipes are empty.

## Installing the faucet body

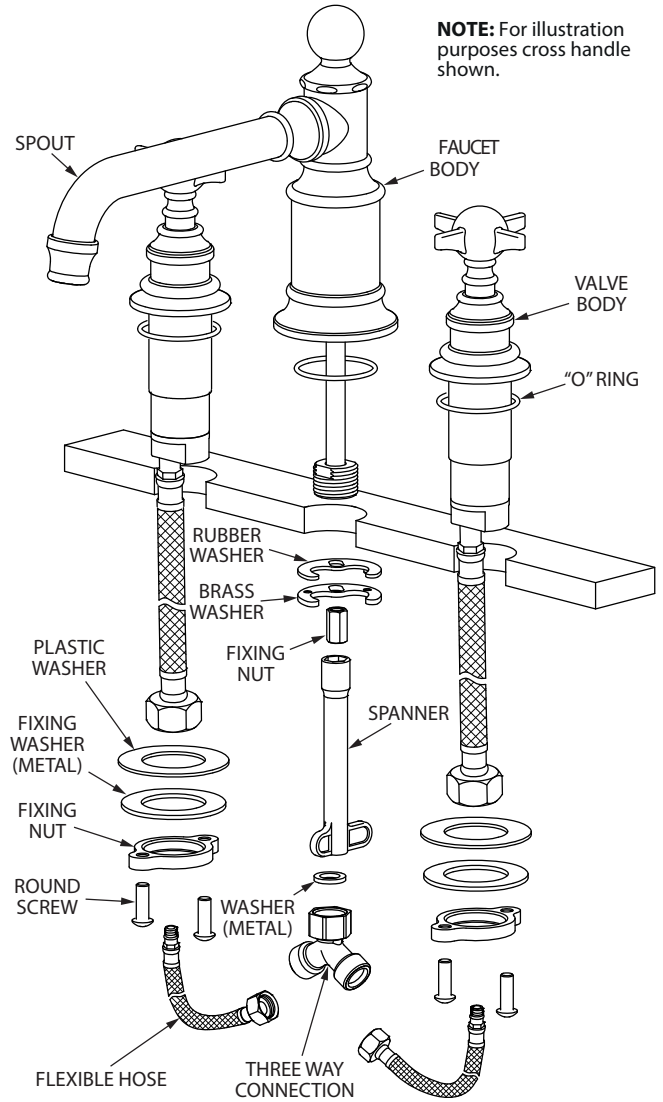
- Fit the "O" ring into the groove on the underside of the faucet body.
- Insert the faucet body into the center hole on the basin from above.
- Tighten the fixing nut by the supplied spanner and fix the faucet body on the basin.
- Screw on the three-way connector at the tail of the faucet body.

## Installing the hot and cold water valves

- Fit the "O" ring into the groove on the underside of both faucet valves.
- Insert the two valve bodies into left and right holes on the counter/basin.
- Tighten the valve with the plastic washers, fixing washers, fixing nuts and round screws.
- Use two flexible pipes to connect the three-way connector with both left and right valve bodies.
- Connect the water supply pipe to the faucet control valve with the hot water on the left and the cold water on the right.

### ATTENTION: Check all new connections for leaks.

- Once satisfied there are no leaks, switch on the heating system.



# 2 Maintenance

## Cleaning the cartridge

- The concealed cartridge should give trouble free service, however servicing is a straightforward process.

## To remove the cartridge

- With the water supply **turned off**, carefully unscrew the top of the faucet and then use a suitable adjustable spanner to loosen the nut.
- Take the cartridge out and wash it with clean running water.
- Make sure any trapped debris has been removed.
- Dry and lightly grease the seal, (only use silicone grease).
- Refit the cartridge followed by the handle body and lever.

# 3 Filter nozzle maintenance

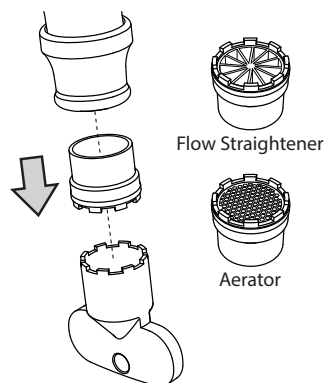
- The taps are supplied with factory fitted flow straightener filters for low-pressure water systems. If the water pressure is high (above 14.5 psi), replace the flow straightener filter with the high pressure Neoperl aerator filter (supplied in the box).
- Use the Neoperl key supplied to unscrew the flow straightener from the nozzle. Replace with the aerator filter. If the supplied Neoperl key is misplaced, use the top of the spare filter to unscrew the filter from the nozzle.
- Tighten the screw back up.

## Before use

- Unscrew the filter and allow the water to run freely for 5 minutes. Screw the filter back into the nozzle once all impurities have been flushed from the water supply.

## Periodically

- Unscrew the filter from the nozzle and rinse with clean running water. Once all loose debris and dirt has been cleared replace the filter into the nozzle and tighten.



# 4 Cleaning Instructions

Rinse away any traces of soap and gently dry with a clean, soft cloth after each use. Rinse completely with water and dry any overspray. This will maintain the finish and avoid water spotting. To remove mineral deposits, use a 50/50 solution of white vinegar and water. Do not allow the solution to soak on the product. Simichrome Polish® contains a protective film to enhance maintenance and is helpful in preventing water spot buildup. Follow instructions to ensure optimum results. Never use an abrasive material such as a brush or scouring pad to clean the surface. The use of abrasive cleaners, cleansers or disinfectants will alter the surface finish and void the warranty. Do not allow certain materials such as toothpaste, cologne, shaving cream, nail polish remover, vinegar, wine, drain and glass cleaners to remain on the surface. Prolonged contact will alter surface finishes and void the warranty.

**We DO NOT recommend using any household cleaners as many can cause damage to the finish.**

Please see the website for care instructions for specific finishes.

**Warranty** - This **Crosswater London** product is covered by a limited lifetime warranty. For full details, terms and conditions please visit our website.

For further information contact: **Crosswater London**, 393 Fortune Blvd., Milford, MA 01757

[www.crosswaterlondon.com](http://www.crosswaterlondon.com)

Toll free number: 844-XWATER-1 (844-992-8371) tel: 508-381-0433 fax: 508-381-6068

email: [technical@crosswaterlondon.com](mailto:technical@crosswaterlondon.com)